

# DWebPro Getting Started Guide

DWebPro is an application conceived for distributing dynamical web sites on CD/DVD. It supports a lot of different server side languages and databases. Here is a list of them:

## Server Side Languages

- ASP Classic 3.0
- ASP.Net 1.1, 2.0 and 2.0 Embedded (see later)
- PHP 4, 5 and 5.1
- JSP/Servlet
- ColdFusion
- Perl
- Python
- Delphi Web Script II
- Ruby
- Rebol
- Zope

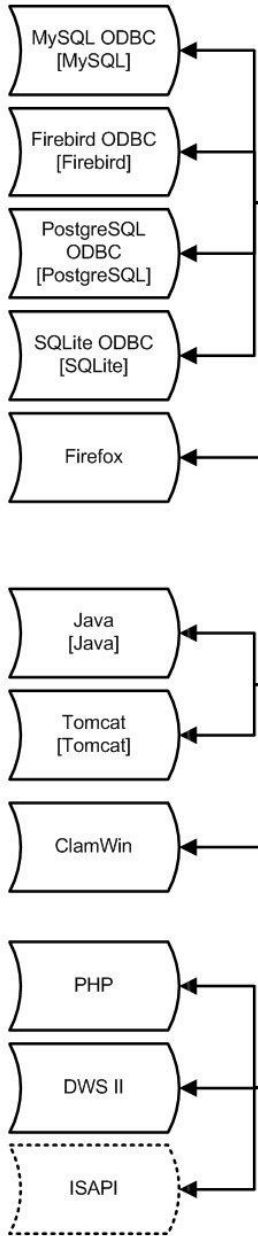
## Databases

- MySQL
- Firebird (also embedded)
- PostgreSQL
- Microsoft Access
- SQLite
- HSQLDB
- MSDE / SQL Server 2005 Express Edition

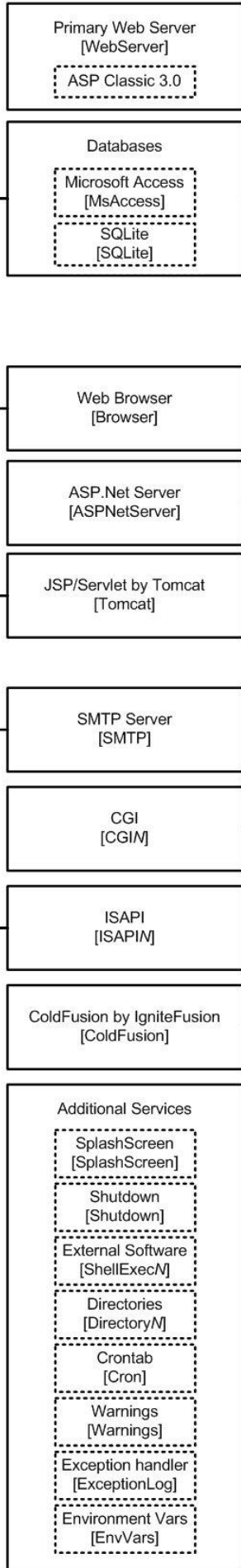
The support for ASP Classic 3.0, SQLite and Microsoft Access are included in the DWebPro package. All the other server side languages and databases need additional files to run. We have created some preconfigured packages to let you install and run them in a straight forward way. You can find these packages on the official web site: <http://www.dwebpro.com/addons.php>

In the following scheme you can find a general description of the internal structure of DWebPro.

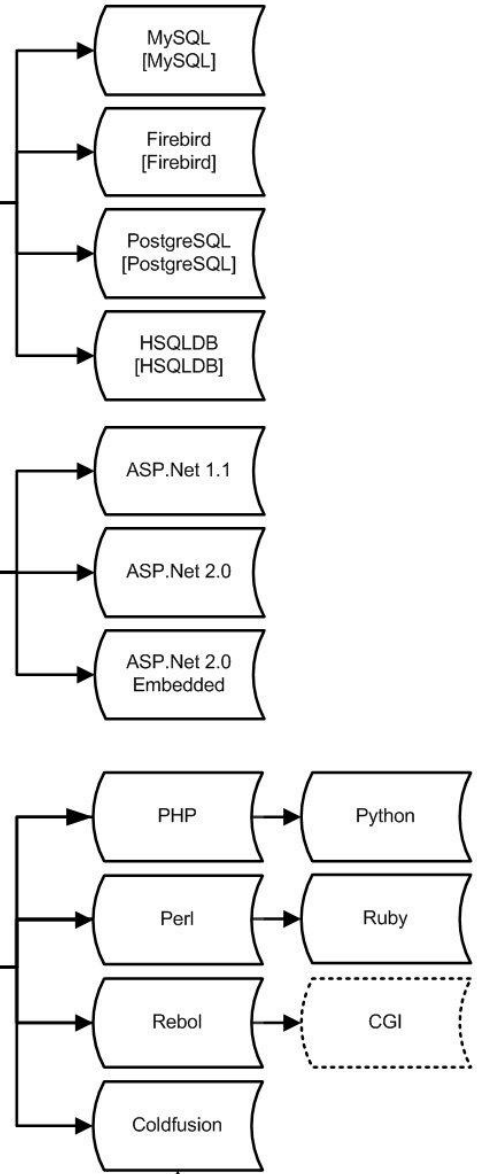
Third party engines (Addons)



DWebPro



Third party engines (Addons)



All the configuration settings of DWebPro are saved in the http.ini file. You can edit it manually (it's a simple text file) or using the DWeb INIEditor (Start -> Programs -> DWebPro -> Utilities -> DWeb INIEditor). Each section of the configuration file is explained in the manual.

DWebPro is divided in several internal services. Lot of them are configurable from the user, others are hidden and used internally (i.e. the Firewall service needed to authorize all the socket servers under Windows XP SP2).

Here are two step by step procedures you can follow to setup DWebPro for deploying on CD/DVD a PHP/MySQL web site and an ASP Classic 3.0/Microsoft Access web site.

### **Deploy a PHP/MySQL Web Site on CD/DVD with DWebPro**

- Download and install DWebPro
- Download and install one of our preconfigured PHP packages.

You can chose between:

- PHP 4.4.2
- PHP 5.0.4
- PHP 5.1.6

If you will use MySQL 4.1 (or above), you should use PHP 5.0 (or above). If you need to use PHP 4.4 and MySQL 4.1 (or above) you have to add the following string to the *CustomParams* field in the *MySQL* section:

```
--old-passwords
```

We recommend you to install PHP as ISAPI: it's a faster and more efficient interface than CGI, especially when PHP is executed on CD/DVD. Once you have installed PHP you can change its settings editing the php.ini file that you can find in the deploy folder.

- Download and install one of our preconfigured MySQL packages.

You can chose between:

- MySQL 4.0.23
- MySQL 4.1.10
- MySQL 5.0.15

- Download and install our preconfigured phpMyAdmin package.
- Put your web application files in the C:\DWebPro\deploy\www folder.
- Start DWebPro (it should bring you to the phpMyAdmin section).
- Create a MySQL database you will use for your website.
- Import the dump of your MySQL database. This procedure can be done using any other MySQL client (i.e. MySQL CC, DBTools, mysql.exe). When you connect to MySQL you MUST provide the correct port on which MySQL is listening on. As default behavior, DWebPro starts any socket server on the first empty port. You can get the correct MySQL port using the following PHP code:

```
<?php  
print(dwebpro_getvar("DWEBPRO_MYSQL_PORT"));  
?>
```

- Open your web scripts and edit the MySQL connection settings to fit the following values:

```
<?php
$host = "127.0.0.1:" . dwebpro_getvar("DWEBPRO_MYSQL_PORT");
$database = "the database you have just created";
$username = "root";
$password = "";
?>
```

- The last step is burning the C:\DWebPro\deploy folder on a CD/DVD. You can put the content of this folder in a sub folder of the CD/DVD, in this case you should put in the root folder both the autorun.inf and the autorun.exe files and edit the autorun.inf to point to the dwebpro.exe file in the sub folder. For instance, if you have placed the DWebPro files in the F:\website sub folder (where F: is the CD/DVD unit name), you have to edit the autorun.inf file as follows:

```
[autorun]
icon=website\dwebpro.exe
open=website\dwebpro.exe
```

If you want you can change the CD/DVD icon changing the icon setting in the autorun.inf file.

The autorun.exe can be renamed into whatever you want (i.e. StartMe.exe). This program is provided to help the end user on starting DWebPro. It reads the autorun.inf directives and executes them, it is very useful when the end user has disabled the Windows Autorun feature.

Now you should be able to run your PHP/MySQL web application with DWebPro.

If you need to execute write operations on the MySQL database you have to configure DWebPro to copy the database files on the user file system. Read the MySQL section of the manual to understand the different ways this can be done.

If in your configuration settings there are full paths like the following:

```
<?php
$root = "/urs/local/example.com/www/";
?>
```

You should rewrite them using a code like the following that will work correctly on any system:

```
<?php
$root = realpath(dirname(__FILE__) . "/../") . DIRECTORY_SEPARATOR;
?>
```

## **Deploy a ASP Classic 3.0/Microsoft Access Web Site on CD/DVD with DWebPro**

- Download and install DWebPro
- Put your web application files in the C:\DWebPro\deploy\www folder.
- Open your web scripts and edit the Microsoft Access connection string as follows:

```

<%
DSN = "DRIVER={Microsoft Access Driver (*.mdb)};" & _
      "DBQ=" & Server.MapPath("Northwind.mdb") & ";" & _
      "UID=admin;PWD=;ReadOnly=1;Exclusive=1;"
Set DB_CONN = Server.CreateObject("ADODB.Connection")
DB_CONN.Open(DSN)
%>

```

Where `Northwind.mdb` is your database file.

- The last step is burning the `C:\DWebPro\deploy` folder on a CD/DVD. See the details of this step in the PHP/MySQL section.

If you need to execute write operations on the Microsoft Access database you have to configure DWebPro to copy the database files on the user file system. Read the Microsoft Access section of the manual to understand the different ways this can be done. When DWebPro copies the database files on the user file system, it provides way to find the destination folder. Here is a sample code you can use to create your own DSN to connect to a Microsoft Access database saved on the user file system:

```

<%
DSN = "DRIVER={Microsoft Access Driver (*.mdb)};" & _
      "DBQ=" & Request.ServerVariables("DWEBPRO_MSACCESS_DATADIR") & _
      "\Northwind.mdb;UID=admin;PWD=;"
Set DB_CONN = Server.CreateObject("ADODB.Connection")
DB_CONN.Open(DSN)
%>

```

The ASP Classic 3.0 Support provided by DWebPro contains some differences and a lot of improvements from the Microsoft one. You can find all these differences described in the official manual. The main improvements are:

- New Server objects methods (`FileExists`, `DirectoryExists`, `EjectCD`, `LockCD`, `UnlockCD`, `IsInternetConnected`, `MachineID`, `Encrypt`, `Decrypt`, `ReadBinaryFile`)
- Mail object that replicates the `CDONTS` object behavior.
- `Server.Registry` object that provides the ability to manipulate the system registry
- `Request.Upload` object for handling file upload without needing external COM objects.

The `500-100.asp` present in the `deploy\www` folder has the same behavior of the `500-100.asp` file of IIS. It is executed when the ASP engine generate an error (during page parsing or runtime execution). You can customize this file to fit you website style.

### **A note about ASP.Net**

ASP.Net is a Microsoft Technology (see <http://asp.net/>). It's the evolution of the Active Server Pages Technology introduced with IIS 3.0 (and enhanced with the successive version of IIS).

ASP.Net 1.1 and ASP.Net 2.0 normally require the presence respectively of the Microsoft .NET Framework 1.1 and 2.0. This can be a huge problem for distributing stand alone web sites on CD/DVD.

From DWebPro 6.5.1 we have introduced a new, unique feature that allows you to distribute ASP.Net 2.0 web applications without requiring the Microsoft .NET Framework presence. This can be achieved installing our ASP.Net 2.0 Embedded package you can find in the Addons web page <http://www.dwebpro.com/addons.php>.

### **Do you have any problem?**

If you have problems on the configuration or DWebPro usage, please contact us, we will answer you almost immediately (within 4 working hours if you use the support forum).

You can get support posting a message on our support forum ( <http://support.dwebpro.com>) or sending an email to [support@dwebpro.com](mailto:support@dwebpro.com).

We are also available on the following Instant Messaging services:

- ICQ: 328652435
- MSN: [support@humanprofile.biz](mailto:support@humanprofile.biz)
- Yahoo!: humanprofile\_assistance
- AIM: supporthp

We know our product seems complex and difficult to learn but once you have understood the basic elements it's very easy to use.

Contact us for any doubt or problem and we will be glad to help you.